



Features:

- AC Input Range: 100~277V
- Protections: Over current / Over voltage / Over temperature / Short circuit
- Environment working temp: -40°C ~ +70 °C
- Compliance to worldwide safety regulations for lighting
- Lifetime: 70,000 hrs
- IP65/ IP67. Design for outdoor installation
- Suitable for LED High Bay, Street light, Flood light, Electronic signage, Advertising light box, Screen wall
- Non-dimmable
- Warranty: 7 years

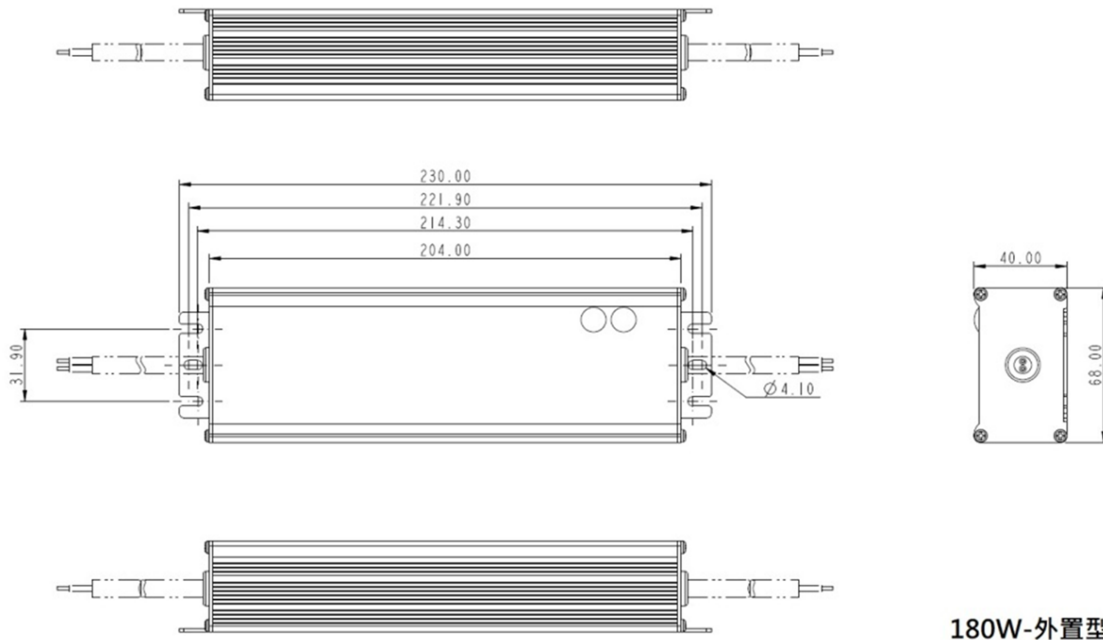
SPECIFICATION

Model		WE-185-12N	WE-185-15N	WE-185-20N	WE-185-24N
Output	Rated Power	156W	172W	186W	187.2W
	Output Voltage	12V	15V	20V	24V
	Rated Current	0~13A	0~11.5A	0~9.3A	0~7.8A
	Voltage Adj. Range	10.8 ~ 13.5A	13.5 ~ 17A	17~22V	22~27V
	Current Adj. Range	Can be adjusted by internal potentiometer			
		6.5~13A	5.75~11.5A	4.65~9.3A	3.9~7.8A
	Voltage Tolerance	± 2.5%	± 2.0%	± 1.0%	± 1.0%
	Line Regulation	± 0.5%	± 0.5%	± 0.5%	± 0.5%
Load Regulation	± 2.0%	± 1.5%	± 1.0%	± 0.5%	
Ripple & Noise	120mVp-p	150mVp-p	200mVp-p	240mVp-p	
Input	Voltage Range	90 ~ 305VAC or 127 ~ 431VDC			
	Frequency Range	47 ~ 63Hz			
	Efficiency (Typ.)	91%	92%	92%	93%
	Total Harmonic Distortion	THD< 20% when output loading ≥50% at 115VAC/230VAC input and output loading ≥75% at 277VAC input			
	Power Factor (Typ.)	F>0.98/115VAC, PF>0.95/230VAC, PF>0.92/277VAC at full load			
Environment	Working Temp.	-40 ~ +70°C			
	Working Humidity	20 ~ 95% RH non-condensing			
Protection	OVP	14~17V	18~21V	23~27V	28~34V
		Protection type : Shut down o/p voltage with auto-recovery or re-power on to recovery			
	OCP	95 ~ 108%			
		Protection type : Constant current limiting, recovers automatically after fault condition is removed			
SCP	Recovers automatically after fault condition is removed				
OTP	100°C ±10°C derating 50% o/p current, recovers automatically after temperature goes down				
Safety & EMC	Safety Standard	UL8750, CSA C22.2 No. 250.0-08, EN61347-1, EN61347-2-13 independent, IP65 or IP67, J61347-1, J61347-2-13 approved ;design refer to UL60950-1, TUV EN60950-1			
	EMC Emission	Compliance to EN55015, EN55022 (CISPR22) Class B, EN61000-3-2 Class C (≥ 50% load) ; EN61000-3-3			
	EMC Immunity	Compliance to EN61000-4-2,3,4,5,6,8,11, EN61547, EN55024, light industry level (surge 12KV), criteria A			
Others	MTBF	180,000 hrs min. MIL-HDBK-217F (25°C)			
	Lifetime	70,000 hrs at 25°C			
	IP Rating	IP65/ IP67			
	Dimming	Non-dimmable			
Dimension	230L*68W*40H mm				

SPECIFICATION

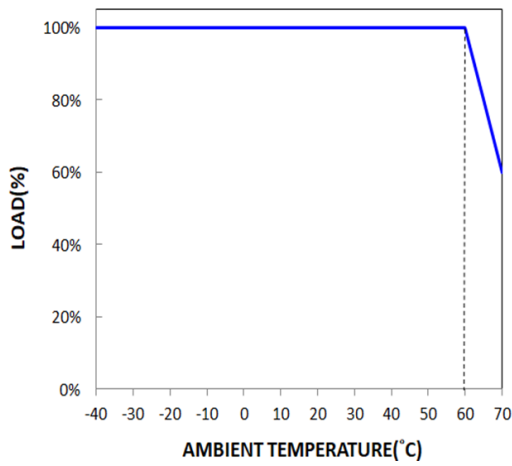
Model		WE-185-30N	WE-185-36N	WE-185-42N	WE-185-48N	WE-185-54N
Output	Rated Power	186W	187.2W	184.8W	187.2W	186.3W
	Output Voltage	30V	36V	42V	48V	54V
	Rated Current	0~6.2A	0~5.2A	0~4.4A	0~3.9A	0~3.45A
	Voltage Adj. Range	27~33V	33~40V	38~46V	43~53V	49~58V
	Current Adj. Range	Can be adjusted by internal potentiometer				
		3.1 ~ 6.2A	2.6 ~ 5.2A	2.2 ~ 4.4A	1.95~3.9A	1.72~3.45A
	Voltage Tolerance	± 1.0%	± 1.0%	± 1.0%	± 1.0%	± 1.0%
	Line Regulation	± 0.5%	± 0.5%	± 0.5%	± 0.5%	± 0.5%
	Load Regulation	± 0.5%	± 2.0%	± 0.5%	± 1.5%	± 0.5%
Ripple & Noise	300mVp-p	360mVp-p	420mVp-p	480mVp-p	540mVp-p	
Input	Voltage Range	90 ~ 305VAC or 127 ~ 431VDC				
	Frequency Range	47 ~ 63Hz				
	Efficiency (Typ.)	93%	93%	93%	93%	93%
	Total Harmonic Distortion	THD< 20% when output loading ≥50% at 115VAC/230VAC input and output loading ≥75% at 277VAC input				
	Power Factor (Typ.)	F>0.98/115VAC, PF>0.95/230VAC, PF>0.92/277VAC at full load				
Environment	Working Temp.	-40 ~ +70°C				
	Working Humidity	20 ~ 95% RH non-condensing				
Protection	OVP	34~38V	41~46V	47~53V	54~60V	59~65V
		Protection type : Shut down o/p voltage with auto-recovery or re-power on to recovery				
	OCP	95 ~ 108%				
		Protection type : Constant current limiting, recovers automatically after fault condition is removed				
	SCP	Recovers automatically after fault condition is removed				
	OTP	100°C ±10°C derating 50% o/p current, recovers automatically after temperature goes down				
Safety & EMC	Safety Standard	UL8750, CSA C22.2 No. 250.0-08, EN61347-1, EN61347-2-13 independent, IP65 or IP67, J61347-1, J61347-2-13 approved ;design refer to UL60950-1, TUV EN60950-1				
	EMC Emission	Compliance to EN55015, EN55022 (CISPR22) Class B, EN61000-3-2 Class C (≥ 50% load) ; EN61000-3-3				
	EMC Immunity	Compliance to EN61000-4-2,3,4,5,6,8,11, EN61547, EN55024, light industry level (surge 12KV), criteria A				
Others	MTBF	180,000 hrs min. MIL-HDBK-217F (25°C)				
	Lifetime	70,000 hrs at 25°C				
	IP Rating	IP65/ IP67				
	Dimming	Non-dimmable				
	Dimension	230L*68W*40H mm				

MECHANICAL SPECIFICATION

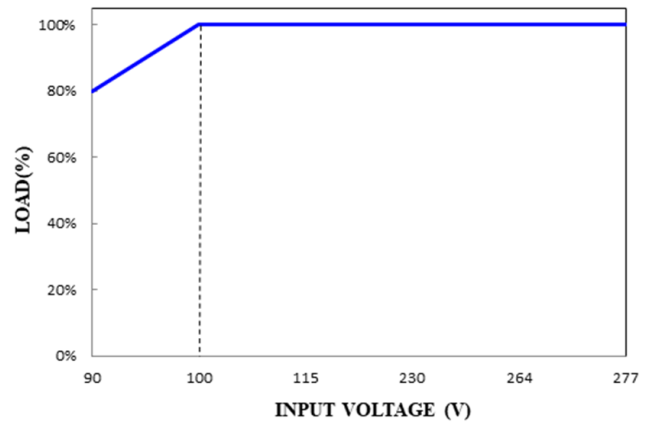


180W-外置型-有孔

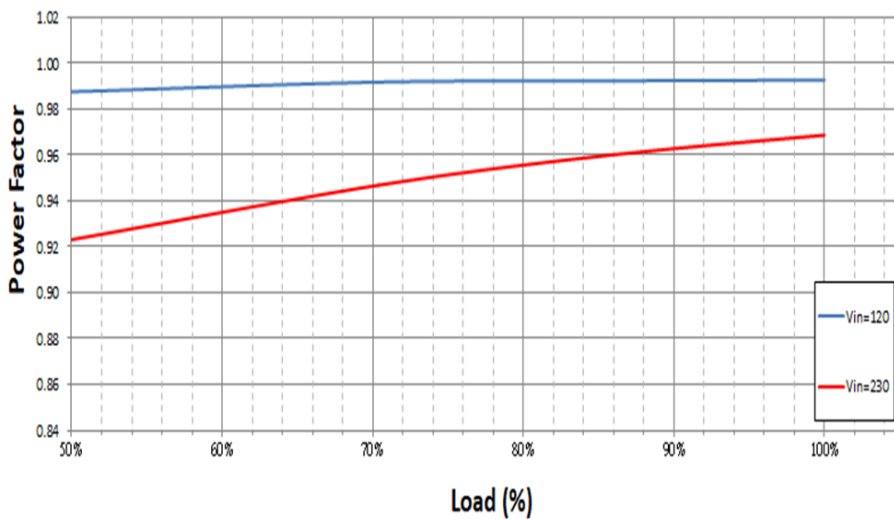
DERATING CURVE



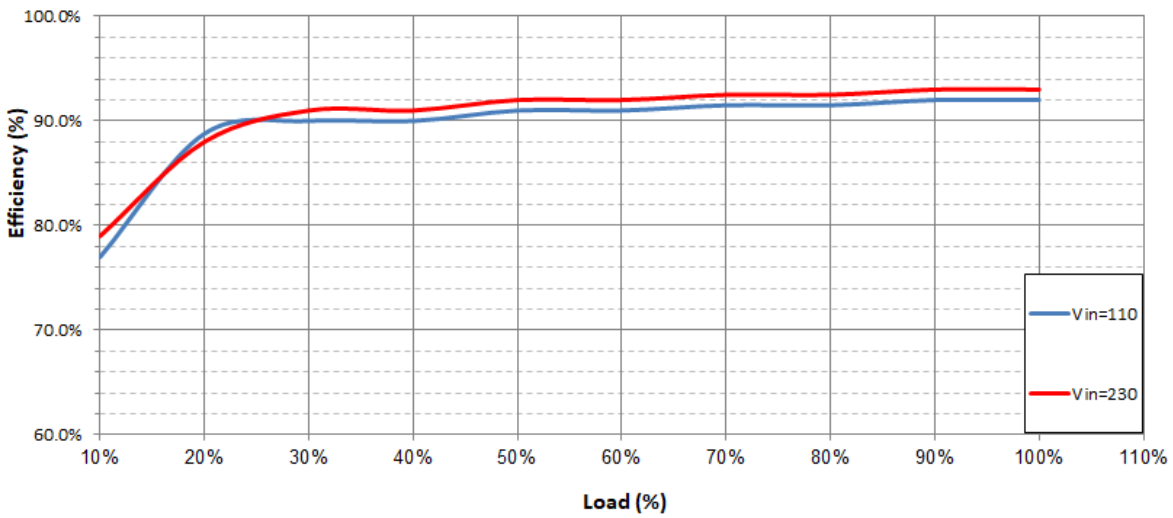
STATIC CHARACTERISTIC



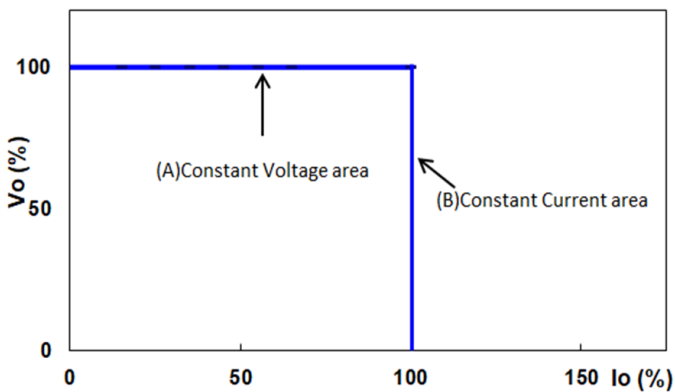
POWER FACTOR CHARACTERISTIC



EFFICIENCY V.S LOAD



DRIVING METHODS OF LED MODUL



BLOCK DIAGRAM

