

## Recessed LED Grid Light

### LSQ



50 ~ 100W   Ra >80   50,000 hrs   ~115 lm/W   115°   IP20



### FEATURES

#### Easy to Install

- \* Suitable for almost all standard ceiling systems
- \* Interchangeable units

#### Longer Lifetime

- \* Utilize top brand LED chips for longer life and superior output maintenance.
- \* Reduce replacements & maintenance cost

#### Recessed Luminaires

- \* Simple design makes ceiling look neat

#### Uniform Light Distribution & Low Glare

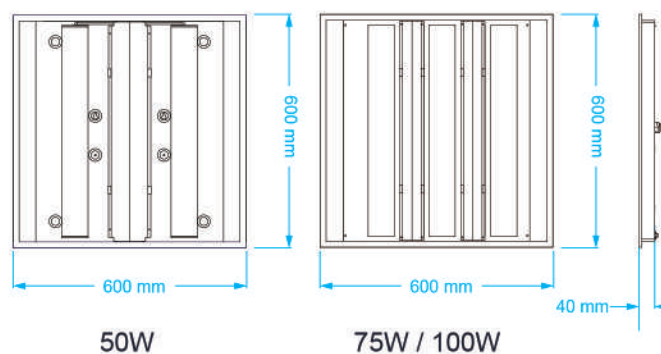
- \* Create comfortable lighting for occupants and improve productivity

#### Easy to Clean

- \* Less dust accumulation and reduces operating temperature issues.



### Application



### Installation Method



### SPECIFICATION

Model	Power	Luminous Flux	Color Temp.	CRI	Beam Angle	Input Voltage	Input Current	Luminous Efficiency	Lifetime	Weight	Wattage Equivalent (fluorescent lamp)
LSQ1050A	50W	5500 lm	6500 K	> 80	115 °	100 - 240V	0.23 - 0.6 A	110 lm/w	50,000 hrs	2.90 Kg	80W
LSQ1050B			5000 K								
LSQ1075A	75W	8625 lm	6500 K	> 80	115 °	100 - 240V	0.27 - 1.5 A	115 lm/w	50,000 hrs	3.45 Kg	300W
LSQ1075B			5000 K								
LSQ1100A	100W	11500 lm	6500 K	> 80	115 °	100 - 240V	0.39 - 1.5 A	115 lm/w	50,000 hrs	3.45 Kg	450W
LSQ1100B			5000 K								

\* Data based on available wattages and LED solutions.

