

# Bluetooth Troffer Light

## BLE-LSQ



### FEATURES

#### Bluetooth Remote

\* Utilize Bluetooth Mesh 5.0 technology

#### Easy to Install

\* Suitable for almost all standard ceiling systems

\* Interchangeable units

#### Longer Lifetime

\* Utilize top brand LED chips for longer life and superior output maintenance.

\* Reduce replacements & maintenance cost

#### Recessed Luminaires

\* Simple design makes ceiling look neat

#### Uniform Light Distribution & Low Glare

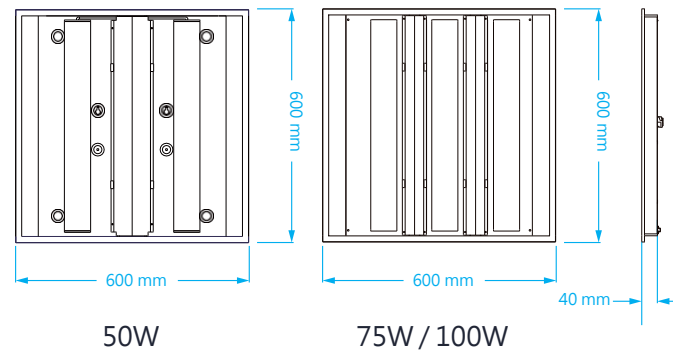
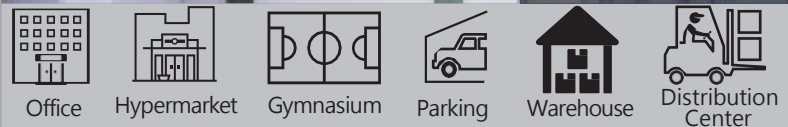
\* Create comfortable lighting for occupants and improve productivity

#### Easy to Clean

\* Less dust accumulation and reduces operating temperature issues.



### Application



### Installation Method



### SPECIFICATION

Model	Power	Luminous Flux	Color Temp.	CRI	Beam Angle	Input Voltage	Input Current	Luminous Efficiency	Lifetime	Weight	Wattage Equivalent (fluorescent lamp)
LSQ1050A LSQ1050B	50W	5500 lm	6500K 5000K	>80	115°	100-240V	0.23-0.6A	110 lm/w	50,000 hrs	2.90 kg	80W
LSQ1075A LSQ1075B	75W	8625 lm	6500K 5000K	>80	115°	100-240V	0.27-1.5A	115lm/w	50,000 hrs	2.45 kg	300W
LSQ1100A LSQ1100B	100W	11500 lm	6500K 5000K	>80	115°	100-240V	0.39-1.5A	115lm/w	50,000 hrs	2.45 kg	450W

\* Data based on available wattages and LED solutions.

